



ASIATIC SURGE ARRESTORS

SWITCHGEARS

The **Surge Arrestors** are an indispensable protection device which needs to protect a transformer against natural lightning & switching surges in a high voltage system.

They are designed for satisfactory performance in critical atmospheric conditions of high/low temperatures & humidity.

Asiatic offers the latest Gap less Metal oxide technology which is far superior than conventional systems being used previously in terms of vast improvement in VA curves & increased through current capability at over voltages.

Features

- ▶ The heart center of the Surge Arrestor is a highly non-linear Zinc oxide discs also called Varistor capable of withstanding the surges.
- ▶ Housed in non-porous Porcelain or Silicone rubber housing along with other circuitry duly sealed.
- ▶ During passage of an electrical surges, the zinc discs allows the entire energy to earth by posing a very low resistance & instantaneously recovers to its original insulation property after passage of surge, getting ready for the next operation.
- ▶ The Surge Arrestor in Silicone rubber is comparatively light weight & un-breakable, hydro phobic, resistant to UV rays, chemicals, ozone & corona. Further it offers excellent resistance to aging under climatic conditions, electrical stresses & exhibits non-combustible properties.
- ▶ Can withstand rough handling or shipping. Reduced weight offers easy transportation.
- ▶ Silicone rubber arrestors can be supplied with mounting brackets.
- ▶ The flexible, thin sheds in Silicone rubber makes it possible to achieve highest creepage distances in comparatively shorter housing. In an unlikely event of a failure of a Surge Arrestor due to excessive surges, porcelain housing may crack or burst in all directions but silicone rubber insulator may merely split open thereby preventing vandalism and damage to the adjacent equipments.
- ▶ The optional disconnecter can also be supplied which helps to disconnect ground lead from arrestor to avoid supply interruption & violent shattering of arrestor.



SWITCHGEARS

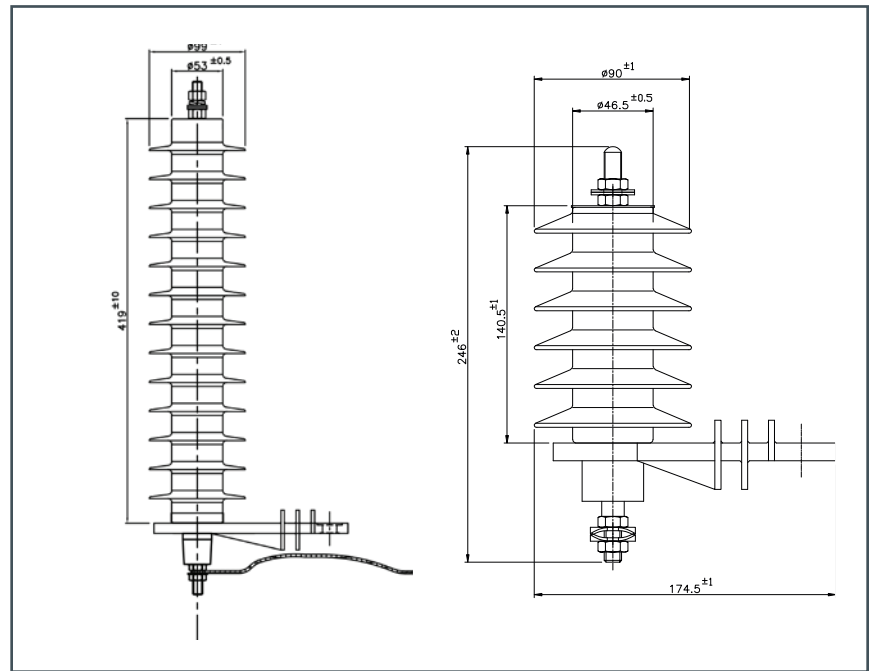
MOV DISCS



Type Testing

The Surge arrester has been extensively type tested at Central Power Research Institute – a laboratory of International repute as per IEC60099-4 for all test including pollution (tracking & corrosion) test as per IEC 61109 for 1000 hrs.

Dimensions



Technical Details

Type Designation	GMOSA-S
Standard referred	IEC60099-4
Discharge class	Distribution class
Rated voltage, kV	3/36
Maximum continuous operating voltage, kV	2.55/30.60
Ref. current at amb. Temperature	1mA
Ref. voltage at amb. Temperature	3/36
Nominal discharge current, kA	5/10
Rated Frequency, Hz	50
Partial discharge in pico coulomb - pC	less than 10 pC
Material of arresters terminals	Stainless steel
Conductor size suitable for line terminals, mm ²	25-95
Ambient air temperature range, °C	-5 to +55
Type of the disconnecting device	Optional disconnecter provided
Method of mounting	Optional bracket provided