



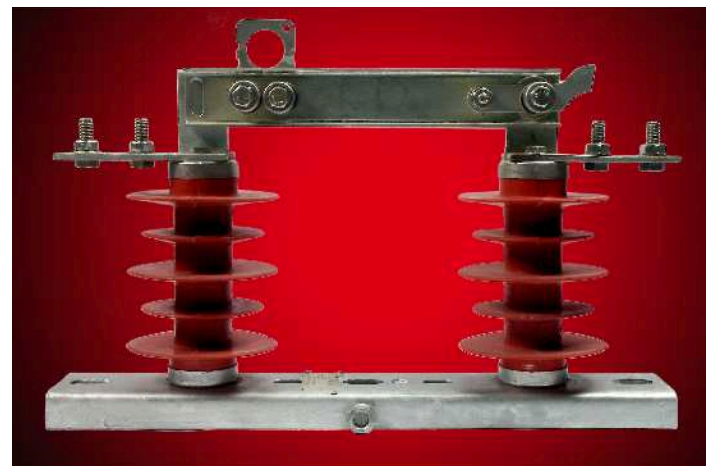
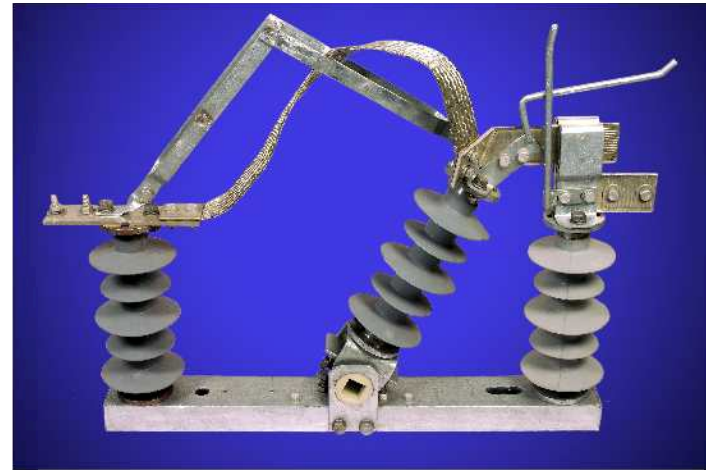
SWITCHGEARS

GANG OPERATED AIR BREAK SWITCHES 200/400/630A IN PORCELAIN & SILICONE RUBBER INSULATOR

The Gang operated Air break switches are meant for outdoor application and are suitable for horizontal or vertical mounting. They are designed for satisfactory performance in harsh atmospheric conditions of high/low temperatures & humidity. Their primary function is to isolate a 11 kV, 3 Phase network. Asiatic manufactures the Air break switches in both Porcelain & Silicone rubber versions.

Features

- ▶ Single break type with 2 or 3 post insulators per pole depending on requirements of the customers.
- ▶ Can be used for single or three phase applications.
- ▶ Robust sturdy design with bottom MS channel of adequate dimensions which imparts requisite strength.
- ▶ Self lubricating central bush bearing in 2 or 3 insulator design of air break switches allows easy operation.
- ▶ Copper contacts are made of ETP grade high conductivity copper and are spring loaded for adequate contact pressure. The contacts are duly plated to improve resistance to corrosion and offers a low resistance current path.
- ▶ The Post insulators are available in Porcelain and Silicone Rubber with large creepage distance suitable for heavily polluted atmosphere and meets the stringent requirements of IS/IEC standards.
- ▶ All MS parts and Hardware are duly hot dip galvanized as per standard specifications which imparts long life to the switch.
- ▶ In 3 insulator design, tin plated braided Copper wire of adequate cross section is provided as per rating of the GOAB switch and depending upon customer requirements.
- ▶ The Isolator is capable of withstanding the electrical & mechanical stresses induced during unlikely event of short circuits.
- ▶ The operation is either hook operated in silicone version through an insulated operating stick or sturdy operating mechanism is provided allowing easy operation 6 meters above ground level with simultaneous operation of all the three poles making perfect electrical contact.
- ▶ Mechanical locking facility is provided for closed & open positions as required.



Silicone - Advantages

The silicone version of insulators offers distinct advantages over conventional porcelain insulators as follows:

- ▶ Light weight, compact and tower structures can be lighter resulting in economy.
- ▶ Hydrophobic & high pollution resistant.
- ▶ Fire retardant; Impact & vandal resistant.
- ▶ Un-breakable & reduces the risk of transport damages.
- ▶ Resistant to earthquake shocks.
- ▶ Reliable & safe mechanical performance.



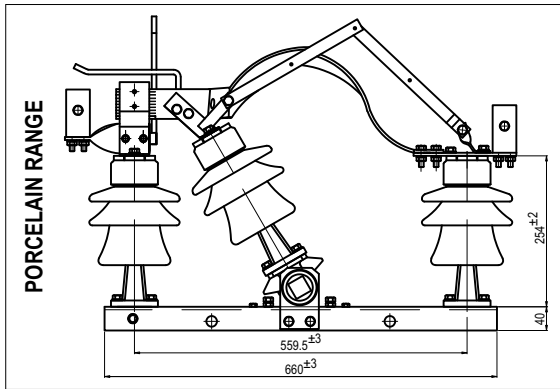
Tested Power...Trusted Solution

GANG OPERATED AIR BREAK SWITCHES 200/400/630A

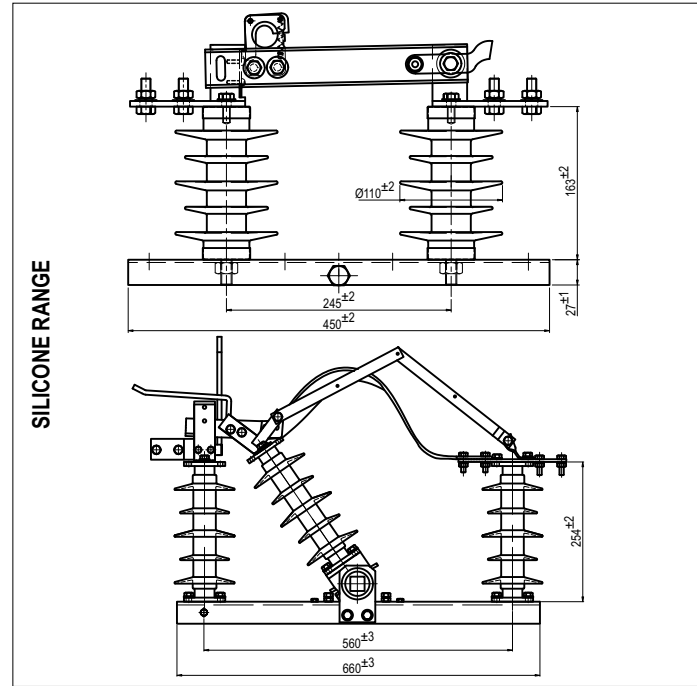
► Type Testing

The GOAB switch in both Porcelain & Silicone Rubber insulators have been extensively type tested at CPRI - a laboratory of International repute as per IS 9921 (Part - 4) : 1985 and IEC 62271-102 respectively for the following Tests:

- Short Time & Peak withstand Current.
- Mechanical Endurance Test.
- Lightning Impulse Voltage withstand Test.
- High Voltage Dry & Wet Power Frequency Test.



Dimensions



Technical Details

RATED VOLTAGE	12 kV
RATED CONTINUOUS CURRENT	200/400/630A AMPS
NO. OF POLES	1/3
TYPE OF MOUNTING	VERTICAL/HORIZONTAL
RATED FREQUENCY	50 Hz
POWER FREQUENCY WITHSTAND VOLTAGE ACROSS THE ISOLATING DISTANCE	32 kV
POWER FREQUENCY WITHSTAND VOLTAGE TO EARTH	28 kV
LIGHTNING IMPULSE VOLTAGE WITHSTAND TEST ACROSS ISOLATING DISTANCE	85 kV PEAK
LIGHTNING IMPULSE VOLTAGE WITHSTAND TEST ACROSS PHASE TO EARTH	75 kV
RATED SHORT TIME & PEAK WITHSTAND CURRENT	20 kA/50 kA FOR 1 SECOND

Note : The company follows a policy of continuous development and improvement of its products and hence products supplied may differ from those described & illustrated in this catalogue.



ASIATIC ELECTRICAL & SWITCHGEAR P. LTD.
(FORMERLY ASIATIC ELECTRONIC INDUSTRIES)

Registered Office:

A 58, Naraina Industrial Area, Phase-I, New Delhi - 110 028, India.
Tel.: +91-11-25796330, 25796617, Fax: +91-11-25799816, 45082346
E-mail: asiatic@asiatic-india.com