



ASIATIC

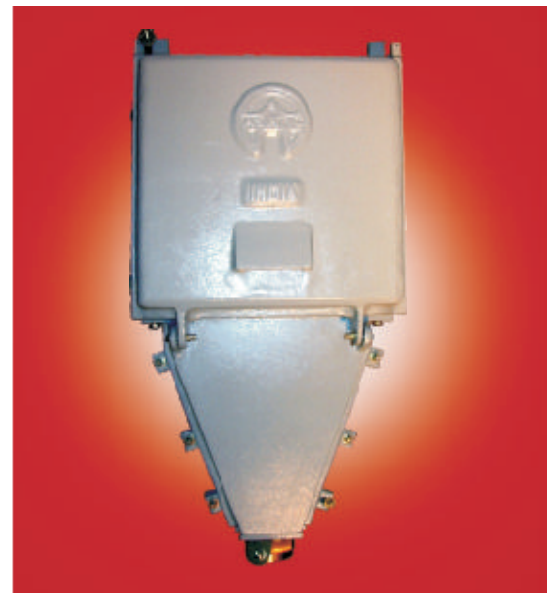
**INDOOR / OUTDOOR
CAST ALUMINUM
CUTOUTS -
100A-160A-250A**

The **Cast Aluminum Cutouts** are compact convenient & reliable products designed for indoor / outdoor applications . Their primary function is protect & safely distribute a 415 V, 3 P+N line for residential / industrial applications.

They are designed for satisfactory performance in harsh atmospheric conditions of high temperatures & humidity.

FEATURES

- ☑ Designed as per Bahrain specifications EDD S-4142-E with latest amendments , BS88 & IEC 269./ 60439.
- ☑ Suitable for use with 4 core XLPE insulated cables from 70 mm² to 240 mm².
- ☑ Supplied with brass mechanical BW (for indoor cutouts) or E1W (for outdoor cutouts) cable glands to BS6121. Earth tag & gland shrouds are also optionally supplied on customer request.
- ☑ The cutouts are provided with Phase barriers of adequate size & thickness to provide good insulation between the phases & earth.
- ☑ The cutout is supplied with optional Aluminum Cable lugs & Bimetallic washers for outgoing terminals.
- ☑ Casted from high quality Aluminum alloy which offers good mechanical strength besides being light weight & is totally corrosion resistant. The cutouts are duly powder coated for a good finish & extended life.
- ☑ Available in Indoor & outdoor versions ranging from 100A– 160A to 250A suitable for wall mounting.
- ☑ Offers IP 2X degree of protection for indoor cutouts & IP 44 for outdoor versions.
- ☑ The Terminals are manufactured in high tensile brass & are duly tinned as per BS 1872.
- ☑ The fuse base is made up of robust insulating material with fixed terminal fuse contacts for accepting fully shrouded Finger grip Fuse carriers suitable for 82.5 mm fixing center J type Fuse links as per BS 88.
- ☑ Facilities for Sealing by wire & lead seals provided.

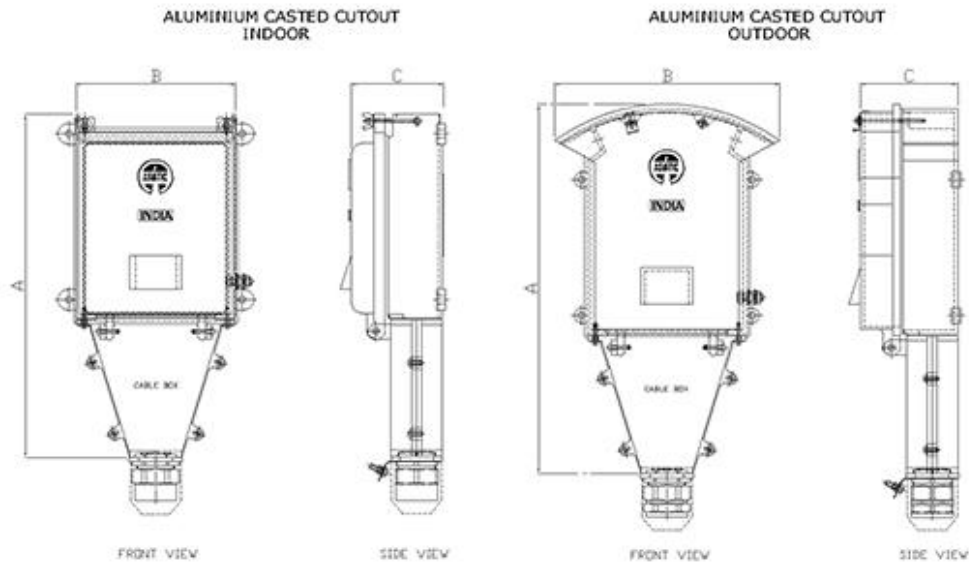


TYPE TESTING

The Cutouts have fully been type tested at
CENTRAL POWER RESEARCH INSTITUTE-INDIA
according to EDD S-4142-E with latest amendments ,
Bs88 & IEC 269./ 60439

SWITCHGEAR

DIMENSIONAL DETAIL



DESCRIPTION	A	B	C
100A I/D	580	262	165
160A I/D	650	317	170
250A I/D	775	415	185

DESCRIPTION	A	B	C
100A O/D	600	356	165
160A O/D	684	415	180
250A O/D	875	505	185

TECHNICAL PARTICULARS

TECHNICAL DETAIL	100A	160A	250A
HOUSING MATERIAL	CAST ALUMINUM	CAST ALUMINUM	CAST ALUMINUM
RATED OPERATION CURRENT	100A	160A	250A
RATED OPERATIONAL VOLTAGE	415V	415V	415V
RATED INSULATION VOLTAGE	500 V	500 V	500 V
FUSE CARRIER	FINGER GRIP TYPE	FINGER GRIP TYPE	FINGER GRIP TYPE
POWER FREQUENCY WITHSTAND	3.75 kV FOR 1 MIN.	3.75 kV FOR 1 MIN.	3.75 kV FOR 1 MIN.
CABLE TYPE	SUITABLE FOR USE WITH 4CORE XLPE INSULATED CABLE OF SIZE 70 MM ²	SUITABLE FOR USE WITH 4CORE XLPE INSULATED CABLE OF SIZE 120 MM ²	SUITABLE FOR USE WITH 4CORE XLPE INSULATED CABLE OF SIZE 240 MM ²
FUSE LINK	82.5 mm J type	82.5 mm J type	82.5 mm J type
SEALING ARRANGEMENT PROVIDED	YES	YES	YES
TYPES AVAILABLE	INDOOR & OUTDOOR	INDOOR & OUTDOOR	INDOOR & OUTDOOR



ASIATIC ELECTRICAL & SWITCHGEAR P. LTD.

(FORMERLY ASIATIC ELECTRONIC INDUSTRIES)

Registered Office:

A 58, Naraina Industrial Area, Phase-I, New Delhi - 110 028, India.

Tel.: +91-11-25796330, 25796617, Fax: +91-11-25799816, 45082346

E-mail: asiatic@asiatic-india.com

MKT-O-15/09

DESIGN & PRODUCED BY PAGE

The Company follows a policy of continuous development and improvement of its products and hence products supplied may differ from those described and illustrated in this page.

Tested Power...Trusted Solution