



SWITCHGEARS

400 A POLE MOUNTED FUSE SWITCH DISCONNECTOR

Pole Mounted Fuse Switch Disconnecter for L.V. System is specially designed as an on-load protective switch and offers a reliable medium for disconnection and protection of fully insulated open wire network section.

The unique modular design offers flexibility to connect switches for single, double, triple and quadruple phases. Series of such combinations can be linked together.

Features

- ▶ Electrical and Mechanical fuse indicators.
- ▶ Minimum number of moving parts.
- ▶ Designed for switching on full load with DIN Type fuse links upto a rated current of 400A.
- ▶ Arc quenching chambers to allow for On-Load switching.
- ▶ Change of fuse possible by using the Insulated operating rod.
- ▶ Lower flap can be withdrawn by the Insulated operating rod.
- ▶ Flexibility of linking a series of flaps for simultaneous operation.
- ▶ The contacts are rigidly mounted in the housing, independent of the terminal bolts.
- ▶ Bolted or Moving blades linked neutral.
- ▶ Host of termination available on request to suit individual requirements.

Construction

The switch is versatile and ideally suited for top mounting directly to poles, transformers and cross arms.

The fuse switch disconnecter is fully insulated made from corrosion proof, impact resistant, weather and UV resilient glass fibre reinforced polyamide compound with high glass content.

This high quality of material, together with robust construction guarantees consistent performance even under adverse climatic conditions.

The upper housing of the switch is hinged to the lower body and houses the conductors, terminals and contacts. The operation of the switch is simple and safe with the help of an insulated operating rod.

The fuse contacts are fully shrouded and terminals are made of ETP grade high conductivity copper. They are duly tin plated which ensures minimum contact resistance besides offering flexibility to use copper or aluminum cables.

The switch can take conductor size of 50 to 240 sq. mm.



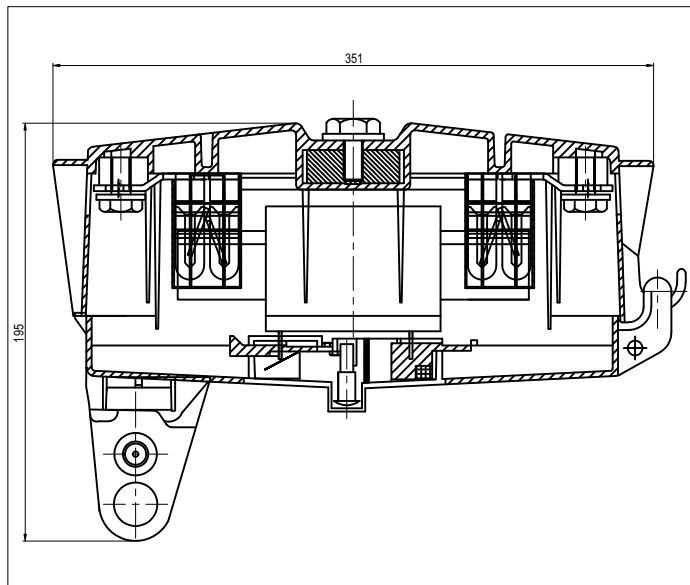
Tested Power...Trusted Solution

400 A POLE MOUNTED FUSE SWITCH DISCONNECTOR

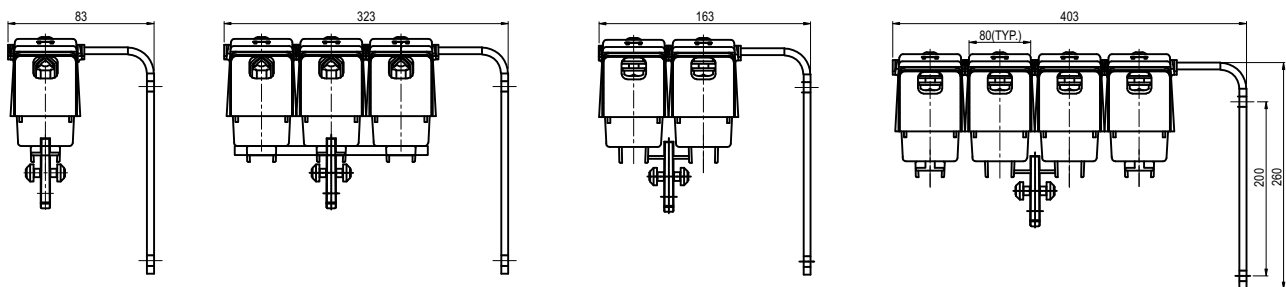
Type Testing

The fuse switch has been extensively type tested according to IEC 60947 part 1 & 3 for:

- Test Sequence - 1:** General Performance Characteristics.
- Test Sequence - 2:** Electrical and Mechanical Endurance.
- Test Sequence - 3:** Short Circuit Performance Capability at 10 kA rms for 0.5 s.
- Test Sequence - 4:** Conditional Short Circuit at 17 kA peak.
- Test Sequence-5:** Overload Performances, Degree of Protection and Impulse Test at 9.8 kV peak.



Dimensions



Technical Details

CATALOGUE REFERENCE		ADPM-1/400A
BODY MATERIAL		Polyamide
RATED OPERATIONAL CURRENT	I_n	400 Amps
RATED OPERATING VOLTAGE	U_e	440 Volts, 50 Hz
RATED INSULATION VOLTAGE	U_i	1000 Volts
RATED SHORT TIME CURRENT	I_{cw}	10 kA rms for 0.5 s with 17 kA peak
CABLE SIZE		upto 240 sq. mm.
FUSE LINK		NH Type Size 1 & 2
DIMENSIONS		270 X 142 X 218 mm (Approx.)
WEIGHT		2.5 Kgs (Not Binding, Without Fuse)

Note : The company follows a policy of continuous development and improvement of its products and hence products supplied may differ from those described & illustrated in this catalogue.



ASIATIC ELECTRICAL & SWITCHGEAR P. LTD.
(FORMERLY ASIATIC ELECTRONIC INDUSTRIES)

Registered Office:

A 58, Naraina Industrial Area, Phase-I, New Delhi - 110 028, India.
Tel.: +91-11-25796330, 25796617, Fax: +91-11-25799816, 45082346
E-mail: asiatic@asiatic-india.com