



ASIATIC

25A STREET LIGHTING CUTOUTS

APPLICATION

25A STREET LIGHTING CUTOUTS are most compact, convenient and reliable products for Street lighting applications.

The product is Designed for 25A, single Phase & neutral lines as per BS 7654 Specifications. The unique design offers easy installation on the street lighting equipment .

CHARACTERISTICS - Design

- ☑ Compact & User friendly Design
- ☑ Housing is made up of high quality Dough Moulding compound (DMC) which offers excellent mechanical & Electrical strength besides imparting a sleek smooth finish.
- ☑ Available in Designs suitable for accommodating two core / four core cables as follows:

Type- A-1 – Suitable for accommodating one incoming two core cable & One outgoing two core cables.

Type- B-1 – Suitable for accommodating one incoming four core cable & one outgoing four core cable. Two cores from both incoming & outgoing cables can be looped without being electrically used through two separate terminals.

- ☑ Offers IP 22 degree of protection
- ☑ Terminals are made up of tinned high tensile brass with serrated bores of Dia 8 mm. The pinching screws are also in brass & are duly tinned.
- ☑ Rubber grommets are provided at inlet/ outlets to prevent ingress.
- ☑ Uniquely identified safety shield is provided which prevents inadvertent contact with live metal parts when fuse carrier is removed.
- ☑ Accepts tag type fuse links 2-25A to BS 7654.
- ☑ Facilities for Sealing by wire & lead seals provided.
- ☑ Except for the pinching screws, all screws & fasteners used in the cutout are in stainless steel .



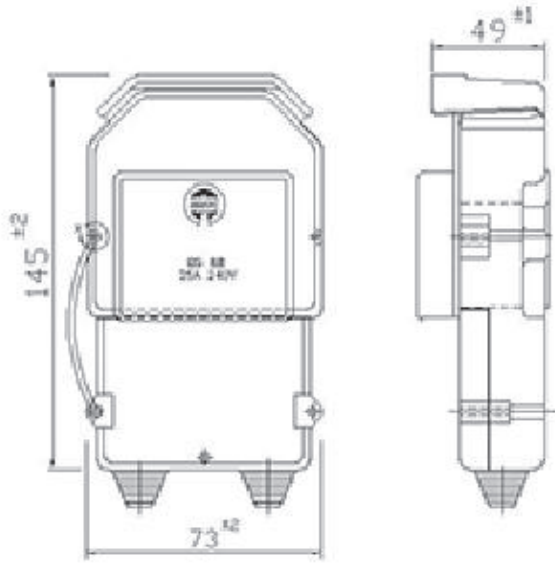
TYPE TESTING :

The street lighting cutouts have fully been type tested at **CENTRAL POWER RESEARCH INSTITUTE - INDIA** according to BS 7654 & ESI 12-19 for the requisite tests.

SWITCHGEARS

SWITCHGEAR

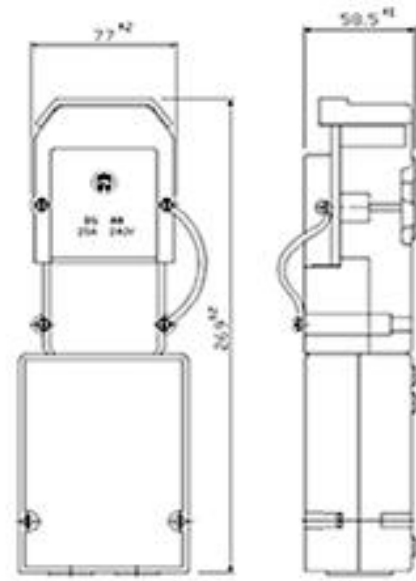
25A L.V STREET LIGHTING CUTOUTS TYPE - A1



FRONT VIEW

SIDE VIEW

25A L.V STREET LIGHTING CUTOUTS TYPE - B1



FRONT VIEW

SIDE VIEW

TECHNICAL PARTICULARS

TECHNICAL DETAIL	TYPE-A1	TYPE-B1
HOUSING MATERIAL	DMC	DMC
RATED OPERATION CURRENT	25 A	25 A
RATED OPERATIONAL VOLTAGE	250V	250V
RATED INSULATION VOLTAGE	500V	500V
RATED SHORT TIME CURRENT	6 KA PEAK	6 KA PEAK
IMPULSE VOLTAGE	6 KV	6 KV
CABLE TYPE	TWO CORE CABLE FOR I/C & O/G	FOUR CORE CABLE FOR I/C & O/G
FUSE LINK	2-25 A TAG TYPE AS PER BS 7654	2-25 A TAG TYPE AS PER BS 7654
SEALING ARRANGEMENT PROVIDED	YES	YES



ASIATIC ELECTRICAL & SWITCHGEAR P. LTD.

(FORMERLY ASIATIC ELECTRONIC INDUSTRIES)

Registered Office:

A 58, Naraina Industrial Area, Phase-I, New Delhi - 110 028, India.

Tel.: +91-11-25796330, 25796617, Fax: +91-11-25799816, 45082346

E-mail: asiatic@asiatic-india.com

MKT-P-16/09

DESIGN & PRODUCED BY PACE

The Company follows a policy of continuous development and improvement of its products and hence products supplied may differ from those described and illustrated in this page.

Tested Power...Trusted Solution